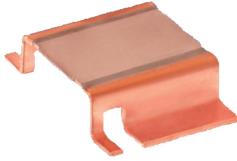


## Shunt Resistor



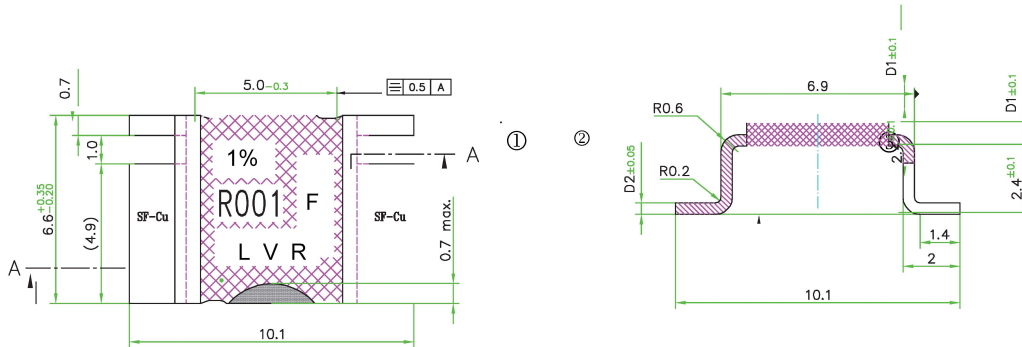
### ■ Features

- LVR 4026 5W up to 160A at 0.2mΩ
- LVR 4026 5W up to 100A at 0.5mΩ
- Maximum soldering temperatures of up to 350°C / 30 sec.
- Heavy copper connectors
- Excellent long-term stability and low inductance
- Mounting using re-flow soldering or welding on copper

### ■ Applications

- Current sensors for hybrid power sources
- Frequency converters
- High current automotive

### ■ Construction



### ■ Dimensions

Unit: mm

Type	Size	Value	Material	Thickness (t)	Weight (g) (1000pcs)
LVR4026	1066	0.2mΩ	Manganin	0.88 mm±0.1	420
LVR4026	1066	0.3mΩ	Manganin	0.43 mm±0.1	220
LVR4026	1066	0.5mΩ	NiCr alloy	0.64 mm±0.1	310
LVR4026	1066	0.7mΩ	NiCr alloy	0.43 mm±0.1	210
LVR4026	1066	1mΩ	NiCr alloy	0.32 mm±0.1	160
LVR4026	1066	2mΩ	Manganin	1.50 mm±0.1	590
LVR4026	1066	2.5mΩ	Manganin	0.56 mm±0.1	590
LVR4026	1066	3mΩ	NiCr alloy	0.90 mm±0.1	940
LVR4026	1066	4mΩ	NiCr alloy	0.45 mm±0.1	470
LVR4026	1066	5mΩ	NiCr alloy	0.30 mm±0.1	320

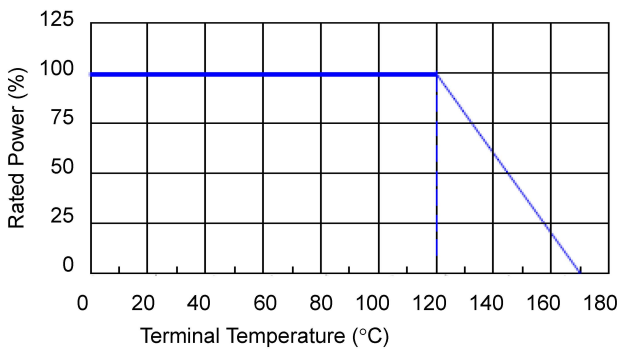
## Shunt Resistor

### Part Numbering

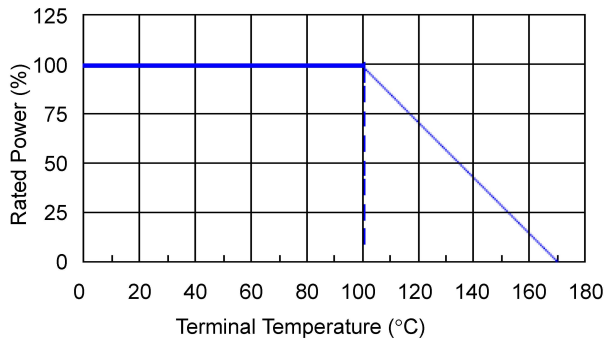
LVR	3921	F	T	D	D	0M50	M
Product Type	Dimensions	Resistance Tolerance	Packaging Code	TCR (PPM/°C)	Power Rating	Resistance	Marking Code
	4026: 10.1x6.6	F: ±1% G: ±2% J: ±5%	T: Taping Reel B: Bulk	D: ±50 1: ±60 W: ±75 E: ±100 2: ±120	B: 2.5W R: 3W C: 3.5W H: 4W D: 5W I: 6W E: 7W	0M50: 0.5mΩ R001: 1mΩ R002: 2mΩ R003: 3mΩ R004: 4mΩ	M: Manganin N: NiCr alloy

### Derating Curve

LVS3921



LVE5931



### Standard Electrical Specifications

Type	Power Rating	Operating Temp. Range	Resistance Range			TCR (PPM/°C) (+20°C ~ +60°C)
			±1%	±2%	±5%	
LVR4026	5W	-55°C ~ +170°C		0.2mΩ		±75
LVR4026	5W			0.3mΩ		±50
LVR4026	5W			0.5mΩ		±100
LVR4026	5W			0.7mΩ		±100
LVR4026	5W			1mΩ		±100
LVR4026	4W			2mΩ		±50
LVR4026	4W			2.5mΩ		±100
LVR4026	4W			3mΩ		±100
LVR4026	4W			4mΩ		±100
LVR4026	4W			5mΩ		±100
LVR4026	3.5W					±100

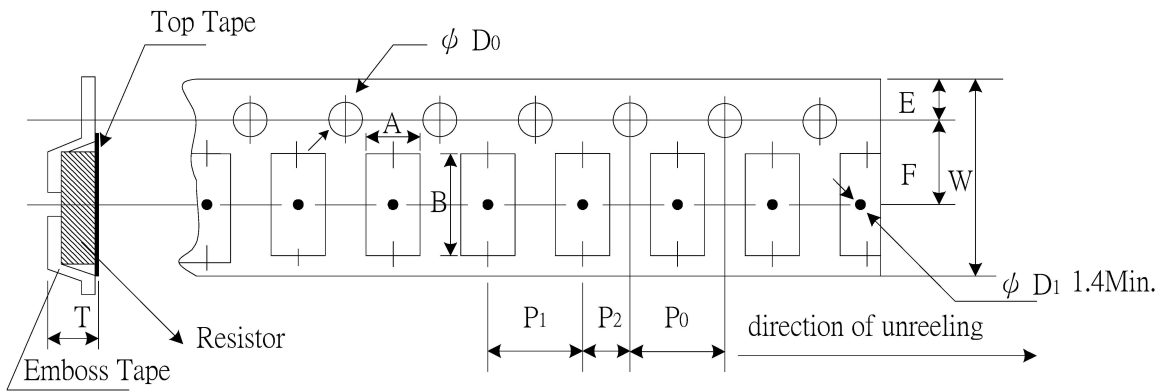
**Environmental Characteristics**

Item	Requirement	Test Method
Short time overload	±0.2%	Rated Power × 5 for 5 seconds
Load Life	±1.0%	90 min. "ON", 30 min. "OFF" for 2000 hours
Resistance to Soldering Heat	±0.5%	260°C for 10 min.
Thermal Shock	±0.1%	-65°C, 25°C, 125°C, 25°C, 25 cycles
Moisture Resistance	±0.2%	90 ~ 98%RH, +25°C, +65°C, -10°C, 10 cycles
High Temperature Exposure	±0.5%	140°C for 250 hours

**Storage Temperature: 15~28°C; Humidity < 80%RH**

**Packaging**

Emboss Plastic Tape Specifications



Unit: mm

Type	A	B	W	E	F	P <sub>0</sub>	P <sub>1</sub>	P <sub>2</sub>	ØD <sub>0</sub>	T	Quantity (EA)
LVR4026	5.7	11.2	16	1.75	7.5	4	12	6	1.50	1.2	1400
LVR4026	8.2	16.1	24	1.75	11.5	4	12	6	1.50	1.9	2000